

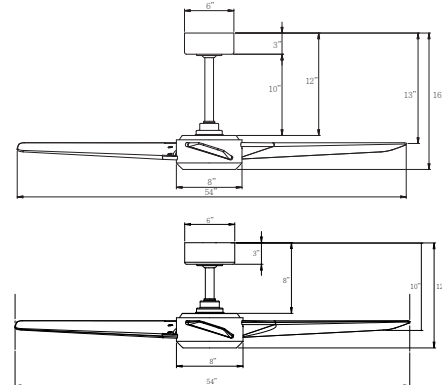
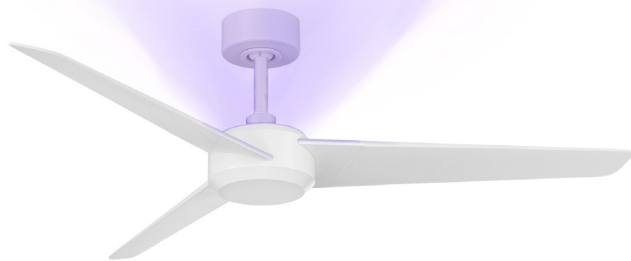
# ULTRA SMART FAN

FR-D2102-54U

54" Ceiling Fan



# MODERN FORMS SMART FANS



## PRODUCT DESCRIPTION

Create a sanctuary with a groundbreaking fan system incorporating Ultraviolet-C (UV-C) light. Using a patent-pending system, which combines a UV-C LED ring with a powerful fan, the Ultra Smart Fan can decrease the concentration of SARS-CoV-2 virus, in the breathable air space.\*\* Third-party lab testing conducted on the ULTRA device, with UV-C module enabled and fan operating in the standard forward rotation at the highest speed setting, showed the active SARS-CoV-2 virus was reduced by 99.99% (4 log reduction) in the breathable air space after 30 minutes of operation in a closed 8x8x10' test room (approximately 72°F and 48% relative humidity), where the ULTRA was mounted on a 10-inch downrod with a total suspended height of 16 inches from the ceiling. \*\*

## FEATURES

- 6 fan speeds through both Summer and Winter Modes
- Silent DC motor
- Includes BT remote control
- Compatible with Modern Forms app
- Includes violet LED indicators to let you know the UV-C module is on

## ORDER NUMBER

Model	Housing	Blade
FR-D2102-54U	<b>BN</b> <i>Brushed Nickel</i>	<b>MB</b> <i>Matte Black</i>
	<b>MB</b> <i>Matte Black</i>	<b>MB</b> <i>Matte Black</i>
	<b>MW</b> <i>Matte White</i>	<b>MW</b> <i>Matte White</i>

Example: FR-D2102-54U-MW

**\*\*Based on tests conducted by an independent CAP and CLIA accredited lab, Innovative Bioanalysis. The effectiveness of the Ultra Smart Fan will vary based upon application and surroundings, including but not limited to room dimensions and airflow.**

**WARNING:** This product emits ultraviolet (UV) radiation. Exposure to UV radiation can cause serious personal injuries, including damage to eyes and skin. Avoid direct exposure to the UV light. Do not operate the product while anyone could be directly exposed to the UV light. For more safety instructions, please refer to page 5 of the fan's instruction manual ("UV Safety Rules").

The Modern Forms app synchronizes seamlessly with smart home devices you already own



*Disclaimer: While there may be information on our website relating to the Ultra Smart Fan's effectiveness in reducing the SARS-CoV-2 virus, Modern Forms makes no claims that its products can cure, treat or prevent any conditions, including COVID-19 or other conditions. Always consult your healthcare provider with any health-related questions.*

## SPECIFICATIONS

- Construction:** Aluminum, ABS  
**Blade:** 17° Pitch, 54" sweep  
**Downrods:** 3/4"W X 10"H + 3/4"W + 6"H included  
**Mounting Slope:** Up to 30°  
**Wire:** 80"  
**Hanging Weight:** 18 lbs  
**Total Power:** 47W  
**Standards:** UL/cUL Damp Location listed, Title 24 JA8-2016 Compliant, Title 20, Energy Star rated  
**Motor Type:** 120 x 20 sensorless DC motor

**This fan comes uni-pack - blade select options are not available**

## WIRELESS PERFORMANCE

- Wi-Fi Range:** Up to 150 ft (Results may vary based on application and surroundings)  
**Bluetooth Range:** Up to 150 ft (Results may vary based on application and surroundings)

## UV-C LED PERFORMANCE

- Light Source:** UV-C LED Modules (only operate when fan is spinning)  
**Light Wattage:** 16.5W  
**Dimming:** N/A  
**Peak wavelength:** 275 nm  
**Maintenance:** Your module will flash when it has 80-hours left of life.

## AIRFLOW/ENERGY EFFICIENCY

- Weighted-Average/High Airflow CFM:** 3278/5172 (tested with 10-inch downrod)  
**Weighted-Average/High Energy Use (W):** 20/26  
**Estimated Yearly Energy Cost (\$):** 5  
**Weighted-Average/High Efficiency (CFM/W):** 168  
**Max RPM:** 169

wacighting.com  
 Phone (800) 526.2588  
 Fax (800) 526.2585

Headquarters/Eastern Distribution Center  
 44 Harbor Park Drive  
 Port Washington, NY 11050

Central Distribution Center  
 1600 Distribution Ct  
 Lithia Springs, GA 30122

Western Distribution Center  
 1750 Archibald Avenue  
 Ontario, CA 91760

Modern Forms retains the right to modify the design of our products at any time as part of the company's continuous improvement program. MAY 2021





# ULTRA SMART FAN

**FR-D2102-54U**  
54" Ceiling Fan



# MODERN FORMS SMART FANS

## OPTIONAL ACCESSORIES

Bluetooth Remote Control		<b>F-RCUV-</b>	<b>WT</b> White	Control fan speed and UV-C light, and switch between Summer and Winter Modes. Compatible with Modern Forms Smart Fans. Includes easy-to-install wall cradle and batteries.
Downrod		<b>XF-12</b> 12IN <b>XF-18</b> 18IN <b>XF-24</b> 24IN <b>XF-36</b> 36IN <b>XF-48</b> 48IN <b>XF-60</b> 60IN <b>XF-72</b> 72IN		All our downrods are 1" O.D. and 3/4 on the inside and are threaded on the motor end to create an extra layer of security and allow for adjustments in the field.
Downrod Couplers		<b>XF-I</b>		Connects two downrods together.
Sloped Ceiling Kit		<b>XF-SCK</b>		Designed to accommodate buildings with steeper sloped ceilings up to 45° or 12/12 pitch.

Examples: Remote Control: **F-RCUV-WT**, Downrod: **XF-12-BN**, Downrod Coupler: **XF-I-MB**, Sloped Ceiling Kit: **XF-SCK-MW**

## SUGGESTED DOWNROD HEIGHT USAGE

Ceiling Height	15'	14'	13'	12'	11'	10'	9'
Downrod	72"	60"	48"	36"	24"	18"	12"

## SLOPED CEILING DEGREE CONVERSION CHART

Degree	4-8°	9-13°	14-17°	18-21°	22-25°	26-29°	30-32°	33-35°	36-38°	39-41°	42-44°	45°
Ceiling Slope	1/12	2/12	3/12	4/12	5/12	6/12	7/12	8/12	9/12	10/12	11/12	12/12
Pitch	pitch	pitch	pitch	pitch	pitch	pitch	pitch	pitch	pitch	pitch	pitch	pitch

Supplied mounting brackets allow mounting on ceiling slopes up to 30° (7/12 pitch). Optional slope kit allows mounting on ceilings up to 45° (12/12 pitch). The receiver will mount inside canopy up to 45°.

**NOTE:** Recommended maximum downrod length of 72" with 80" lead wire

*Disclaimer: While there may be information on our website relating to the Ultra Smart Fan's effectiveness in reducing SARS-CoV-2 in the air, Modern Forms makes no claims that its products can cure, treat or prevent any conditions, including COVID-19 or other conditions. Always consult your healthcare provider with any health-related questions.*

*Modern Forms retains the right to modify the design of our products at any time as part of the company's continuous improvement program. SEPTEMBER 2021*