



Project: \_\_\_\_\_

Location: \_\_\_\_\_

Fixture Type: \_\_\_\_\_

Catalog Number: \_\_\_\_\_

**AVAILABLE FINISHES:**



## Avant Garde

WS-W17912

**PRODUCT DESCRIPTION**

Classic lantern profile artfully expressed in black lines. A clear mouth-blown glass element within reveals a spectral reference to an Edison filament lamp of old. A contemporary artpiece ideal for welcoming friends and family in entryways and lobbies in residential and hospitality venues.

**FEATURES**

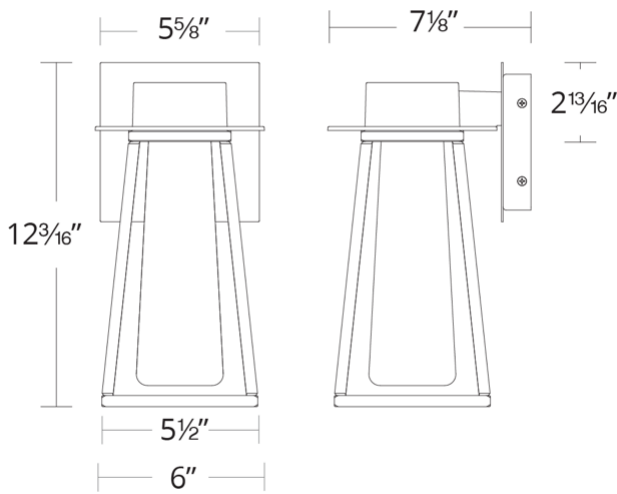
- Driver concealed within the canopy
- Reeded etched glass

**SPECIFICATIONS**

Rated Life	50000 Hours
Standards	ETL, cETL, Wet Location Listed
Input	120-277V, 50/60Hz
Dimming	ELV, 0-10V, TRIAC
Color Temp	3000K
CRI	90
Construction	Aluminum hardware, etched fluted glass

**REPLACEMENT PARTS**

- RPL-GLA-17912-01 - Extruded Glass
- RPL-GLA-17912-02 - Clear Glass



WS-W17912

Model & Size	Color Temp	Finish	LED Watts	LED Lumens	Delivered Lumens
WS-W17912 12"	3000K	BK Black	12.7W	556	455

Example: **WS-W17912-BK**

For custom requests please contact [customs@modernforms.com](mailto:customs@modernforms.com)



Project:

Location:

Fixture Type:

Catalog Number:

**AVAILABLE FINISHES:**



## Avant Garde

WS-W17917

**PRODUCT DESCRIPTION**

Classic lantern profile artfully expressed in black lines. A clear mouth-blown glass element within reveals a spectral reference to an Edison filament lamp of old. A contemporary artpiece ideal for welcoming friends and family in entryways and lobbies in residential and hospitality venues.

**FEATURES**

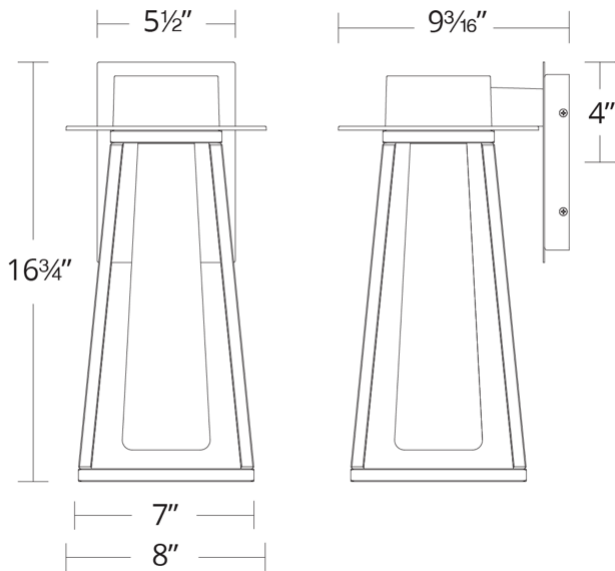
- Driver concealed within the canopy
- Reeded etched glass

**SPECIFICATIONS**

<b>Rated Life</b>	50000 Hours
<b>Standards</b>	ETL, cETL, Wet Location Listed
<b>Input</b>	120-277V, 50/60Hz
<b>Dimming</b>	ELV, 0-10V, TRIAC
<b>Color Temp</b>	3000K
<b>CRI</b>	90
<b>Construction</b>	Aluminum hardware, etched fluted glass

**REPLACEMENT PARTS**

- RPL-GLA-17917-01 - Extruded Glass
- RPL-GLA-17917-02 - Clear Glass



WS-W17917

Model & Size	Color Temp	Finish	LED Watts	LED Lumens	Delivered Lumens
WS-W17917 17"	3000K	BK Black	17.5W	610	539

Example: **WS-W17917-BK**

For custom requests please contact [customs@modernforms.com](mailto:customs@modernforms.com)