



Project:

Location:

Fixture Type:

Catalog Number:

AVAILABLE FINISHES:



Skyscraper

WS-W68612

PRODUCT DESCRIPTION

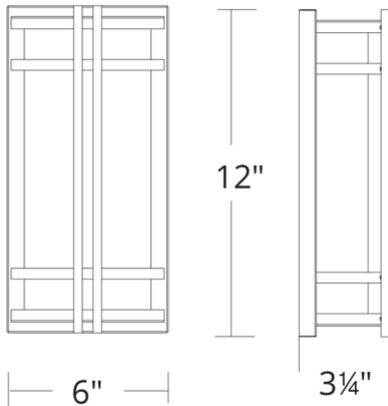
With a subtle influence of Art Deco, Skyscraper makes the old new again with modern materials and ultra-advanced technology. Peerless LEDs inside provide the finest, longest and most energy-efficient illumination possible. And Skyscraper's not just for the Chrysler Building—this prized sconce shines outside hotels, residences and restaurants too.

FEATURES

- 277V option available for special order.
- 2700K and 3500K CCT option available for special order.
- ACLED driverless technology
- SS Finish features 316 stainless steel hardware; BZ and BK finish features aluminum hardware
- F1-rated acrylic

SPECIFICATIONS

Rated Life	54000 Hours
Standards	ETL, cETL, Wet Location Listed, IP65, Title 24 JA8: 2019 Compliant
Input	120 VAC, 50/60Hz
Dimming	ELV
Mounting	Can be mounted on wall in all orientations
Color Temp	3000K
CRI	90
Construction	Stainless steel body with etched heat bend glass, Aluminum body with etched heat bend glass



WS-W68612

REPLACEMENT PARTS

- RPL-GLA-68612 - Outer Acrylic Shade
- RPL-GLA-68612-02 - Inner Glass

Model & Size	Color Temp	Finish	LED Watts	LED Lumens	Delivered Lumens
WS-W68612 12"	3000K	BK Black	12W	872	485
	3000K	BZ Bronze	12W	872	485
	3000K	SS Stainless Steel	12W	605	418

Example: **WS-W68612-SS**

- For 277V special order, add an "F" before the finish: WS-W68612F-BK
- For '3500K' add "-35"; '2700K' add "-27" before the finish: WS-W68612-35-SS

For custom requests please contact customs@modernforms.com



Project: _____

Location: _____

Fixture Type: _____

Catalog Number: _____

AVAILABLE FINISHES:



Skyscraper

WS-W68618

PRODUCT DESCRIPTION

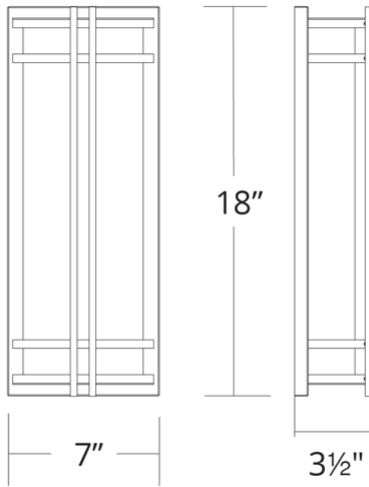
With a subtle influence of Art Deco, Skyscraper makes the old new again with modern materials and ultra-advanced technology. Peerless LEDs inside provide the finest, longest and most energy-efficient illumination possible. And Skyscraper's not just for the Chrysler Building—this prized sconce shines outside hotels, residences and restaurants too.

FEATURES

- 277V option available for special order.
- 2700K and 3500K CCT option available for special order.
- ACLED driverless technology
- SS Finish features 316 stainless steel hardware; BZ and BK finish features aluminum hardware
- F1-rated acrylic

SPECIFICATIONS

Rated Life	54000 Hours
Standards	ETL, cETL, Wet Location Listed, IP65, Title 24 JA8: 2019 Compliant
Input	120 VAC, 50/60Hz
Dimming	ELV
Mounting	Can be mounted on wall in all orientations
Color Temp	3000K
CRI	90
Construction	Stainless steel body with etched heat bend glass, Aluminum body with etched heat bend glass



WS-W68618

REPLACEMENT PARTS

- RPL-GLA-68618 - Outer Acrylic Shade
- RPL-GLA-68618-02 - Inner Glass

Model & Size	Color Temp	Finish	LED Watts	LED Lumens	Delivered Lumens
WS-W68618 18"	3000K	BK Black	19W	1170	674
	3000K	BZ Bronze	19W	1170	674
	3000K	SS Stainless Steel	19W	1170	674

Example: **WS-W68618-SS**

- For 277V special order, add an "F" before the finish: WS-W68618F-SS
- For '2700K' add "-27"; '3500K' add "-35" before the finish: WS-W68618-35-SS

For custom requests please contact customs@modernforms.com



Project: _____

Location: _____

Fixture Type: _____

Catalog Number: _____

AVAILABLE FINISHES:



Skyscraper

WS-W68627

PRODUCT DESCRIPTION

With a subtle influence of Art Deco, Skyscraper makes the old new again with modern materials and ultra-advanced technology. Peerless LEDs inside provide the finest, longest and most energy-efficient illumination possible. And Skyscraper's not just for the Chrysler Building—this prized sconce shines outside hotels, residences and restaurants too.

FEATURES

- 277V option available for special order.
- 2700K and 3500K CCT option available for special order.
- ACLED driverless technology
- SS Finish features 316 stainless steel hardware; BZ and BK finish features aluminum hardware
- F1-rated acrylic

SPECIFICATIONS

Rated Life	54000 Hours
Standards	ETL, cETL, Wet Location Listed, IP65, Title 24 JA8: 2019 Compliant
Input	120 VAC, 50/60Hz
Dimming	ELV
Mounting	Can be mounted on wall in all orientations
Color Temp	3000K
CRI	90
Construction	Aluminum body with etched heat bend glass, Stainless steel body with etched heat bend glass



WS-W68627

REPLACEMENT PARTS

- RPL-GLA-68627 - Outer Acrylic Shade
- RPL-GLA-68627-02 - Inner Glass

Model & Size	Color Temp	Finish	LED Watts	LED Lumens	Delivered Lumens
WS-W68627 27"	3000K	BK Black	24W	1645	923
	3000K	BZ Bronze	24W	1645	923
	3000K	SS Stainless Steel	24W	1272	880

Example: **WS-W68627-SS**

- For 277V special order, add an "F" before the finish: WS-W68627F-BK
- For '2700K' add "-27"; '3500K' add "-35" before the finish: WS-W68627-35-SS

For custom requests please contact customs@modernforms.com



Project: _____

Location: _____

Fixture Type: _____

Catalog Number: _____

AVAILABLE FINISHES:



Skyscraper

WS-W68637

PRODUCT DESCRIPTION

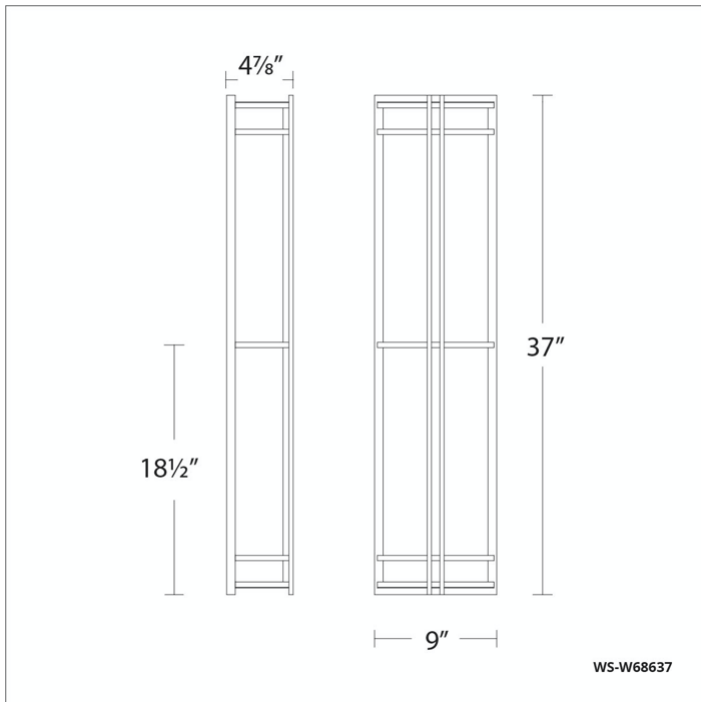
With a subtle influence of Art Deco, Skyscraper makes the old new again with modern materials and ultra-advanced technology. Peerless LEDs inside provide the finest, longest and most energy-efficient illumination possible. And Skyscraper's not just for the Chrysler Building—this prized sconce shines outside hotels, residences and restaurants too.

FEATURES

- 277V option available for special order.
- 2700K and 3500K CCT option available for special order.
- ACLED driverless technology
- SS Finish features 316 stainless steel hardware; BZ and BK finish features aluminum hardware
- F1-rated acrylic

SPECIFICATIONS

Rated Life	54000 Hours
Standards	ETL, cETL, Wet Location Listed, IP65, Title 24 JA8: 2019 Compliant
Input	120 VAC, 50/60Hz
Dimming	ELV
Mounting	Can be mounted on wall in all orientations
Color Temp	3000K
CRI	90
Construction	Stainless steel body with etched heat bend glass, Aluminum body with etched heat bend glass



REPLACEMENT PARTS

- RPL-GLA-68637 - Outer Acrylic Shade
- RPL-GLA-68637-02 - Inner Glass

Model & Size	Color Temp	Finish	LED Watts	LED Lumens	Delivered Lumens
WS-W68637 37"	3000K	BK Black	43.7W	3480	2295
	3000K	BZ Bronze	43.7W	3480	2295
	3000K	SS Stainless Steel	43.7W	3480	2295

Example: **WS-W68637-SS**

- For 277V special order, add an "F" before the finish: WS-W68637F-SS
- For '3500K' add "-35"; '2700K' add "-27" before the finish: WS-W68637-27-BZ

For custom requests please contact customs@modernforms.com