



Project:

Location:

Fixture Type:

Catalog Number:

AVAILABLE FINISHES:



Blade

WS-11511

PRODUCT DESCRIPTION

A new slant on modern lighting. This low profile angular sconce deploys robust indirect illumination of walls and surfaces. The sloped façade on this clean, minimalist sconce offers a unique look and high style appeal. A welcome addition to modern living spaces, restaurants and medical offices.

FEATURES

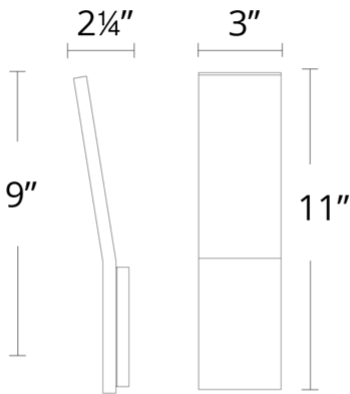
- 277V option available for special order.
- ACLED driverless technology
- Conversion plate included to accommodate 4" junction box

SPECIFICATIONS

Rated Life	50000 Hours
Standards	ETL, cETL, Damp Location Listed
Input	120 VAC, 50/60Hz
Dimming	ELV
Mounting	Can be mounted on wall in all orientations
Color Temp	3000K
CRI	90
Construction	Aluminum hardware

REPLACEMENT PARTS

RPL-GLA-11511 - Glass



WS-11511

Model & Size	Color Temp	Finish	LED Watts	LED Lumens	Delivered Lumens
WS-11511 11"	3000K	AL Brushed Aluminum	9.8W	753	621
	3000K	BK Black	9.8W	753	621
	3000K	WT White	9.8W	753	621

Example: **WS-11511-WT**

•For 277V special order, add an "F" before the finish: WS-11511F-WT

For custom requests please contact customs@modernforms.com



Project: _____

Location: _____

Fixture Type: _____

Catalog Number: _____

AVAILABLE FINISHES:



Blade

WS-11522

PRODUCT DESCRIPTION

A new slant on modern lighting. This low profile angular sconce deploys robust indirect illumination of walls and surfaces. The sloped façade on this clean, minimalist sconce offers a unique look and high style appeal. A welcome addition to modern living spaces, restaurants and medical offices.

FEATURES

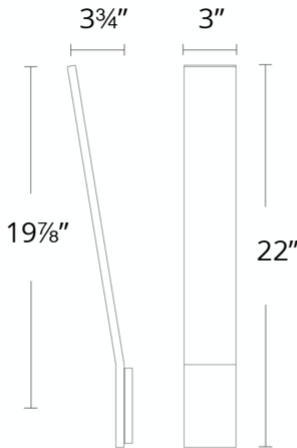
- 277V option available for special order.
- ACLED driverless technology
- Conversion plate included to accommodate 4" junction box

SPECIFICATIONS

Rated Life	50000 Hours
Standards	ETL, cETL, Damp Location Listed
Input	120 VAC, 50/60Hz
Dimming	ELV
Mounting	Can be mounted on wall in all orientations
Color Temp	3000K
CRI	90
Construction	Aluminum hardware

REPLACEMENT PARTS

RPL-GLA-11522 - Glass



WS-11522

Model & Size	Color Temp	Finish	LED Watts	LED Lumens	Delivered Lumens
WS-11522 22"	3000K	AL Brushed Aluminum	18.7W	1494	1253
	3000K	BK Black	18.7W	1494	1253
	3000K	WT White	18.7W	1494	1253

Example: **WS-11522-WT**

•For 277V special order, add an "F" before the finish: WS-11522F-WT

For custom requests please contact customs@modernforms.com



Project:

Location:

Fixture Type:

Catalog Number:

AVAILABLE FINISHES:



Blade

WS-11718

PRODUCT DESCRIPTION

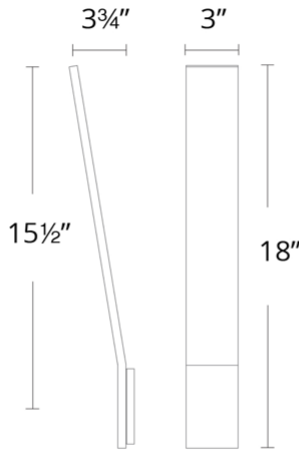
A new slant on modern lighting. This low profile angular sconce deploys robust indirect illumination of walls and surfaces. The sloped façade on this clean, minimalist sconce offers a unique look and high style appeal. A welcome addition to modern living spaces, restaurants and medical offices.

FEATURES

- 277V option available for special order.
- ACLED driverless technology
- Conversion plate included to accommodate 4" junction box

SPECIFICATIONS

Rated Life	50000 Hours
Standards	ETL, cETL, Damp Location Listed
Input	120 VAC, 50/60Hz
Dimming	ELV
Color Temp	3000K
CRI	90
Construction	Aluminum hardware



WS-11718

Model & Size	Color Temp	Finish	LED Watts	LED Lumens	Delivered Lumens
WS-11718 18"	3000K	AL Brushed Aluminum	19.5W	1385	1225
	3000K	BK Black	19.5W	1385	1225
	3000K	WT White	19.5W	1385	1225

Example: **WS-11718-WT**

•For 277V special order, add an "F" before the finish: WS-11718F-WT

For custom requests please contact customs@modernforms.com