



Project: \_\_\_\_\_

Location: \_\_\_\_\_

Fixture Type: \_\_\_\_\_

Catalog Number: \_\_\_\_\_

**AVAILABLE FINISHES:**



## Rings

PD-26803

**PRODUCT DESCRIPTION**

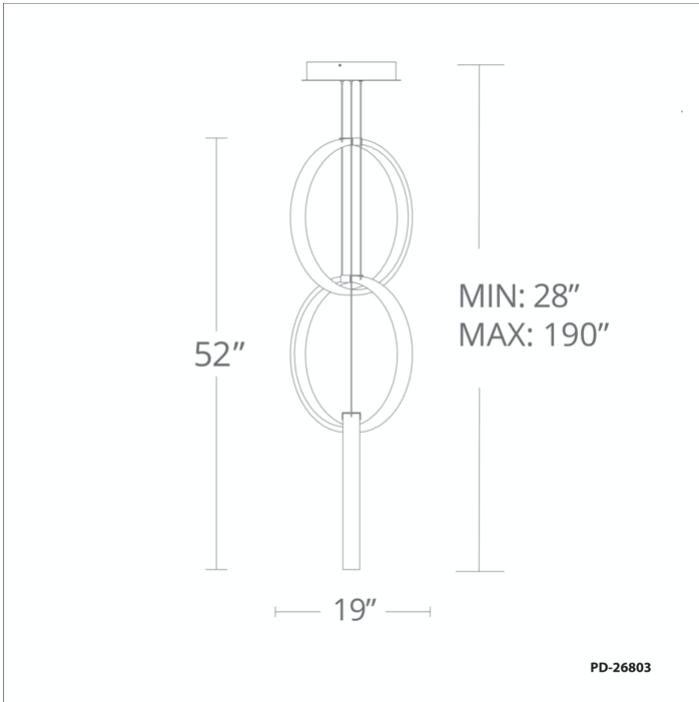
Breakthrough LED technology and clever engineering details elevate the classic chain motif on this pendant. Each circle features a magnetic closure to create a seamless look, which is echoed by the ultra-thin powered aircraft cables and round canopy. Light radiates from inside each loop, delivering warm, energy-efficient illumination into atriums and living spaces.

**FEATURES**

- Transformer concealed within the canopy
- Magnetic ring closures make linking a snap
- Thin powered aircraft cables provide an ultra clean look for adjustable suspension height
- Silicon diffusers for even illumination
- Can be mounted on a sloped ceiling

**SPECIFICATIONS**

<b>Rated Life</b>	50000 Hours
<b>Standards</b>	ETL, cETL, Damp Location Listed
<b>Input</b>	120 VAC, 50/60Hz
<b>Dimming</b>	ELV
<b>Color Temp</b>	3000K
<b>CRI</b>	90
<b>Construction</b>	Extruded aluminum hardware, silica gel diffuser



Model & Size	Color Temp & CRI	Watt	Lumens	Finish
PD-26803 52" - 3 Lights	3000K 90 3000K 90	71W 71W	2706 2706	BK Black TT Titanium

Example: **PD-26803-TT**

For custom requests please contact [customs@modernforms.com](mailto:customs@modernforms.com)