



Project:

Location:

Fixture Type:

Catalog Number:

**AVAILABLE FINISHES:**



# Balthus

WS-W28514

**PRODUCT DESCRIPTION**

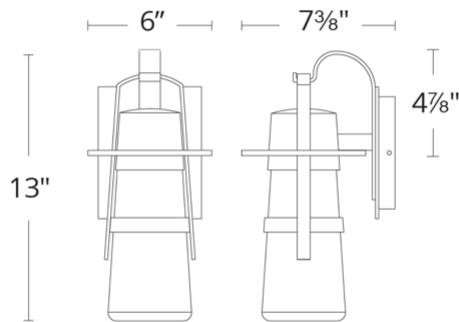
Vintage inspiration meets modern technology on this refined transitional sconce, perfect for lighting the path to your reception hall, residence or restaurant. High-performance LEDs stationed inside emit powerful, energy-efficient light through clear, hammered glass for a shimmering visual effect the eponymous painter would be proud of

**FEATURES**

- ACLED driverless technology
- Clear mouth-blown hammered glass
- 277V options available for 21" only; not available for 14" or 16"
- IDA Dark Sky compliant

**SPECIFICATIONS**

<b>Rated Life</b>	54000 Hours
<b>Standards</b>	ETL, cETL, Wet Location Listed, IP65, Title 24 JA8: 2019 Compliant, Dark Sky Friendly
<b>Input</b>	120 VAC, 50/60Hz
<b>Dimming</b>	ELV
<b>Color Temp</b>	3000K
<b>CRI</b>	90
<b>Construction</b>	Aluminum hardware, Clear hammered mouth-blown glass



WS-W28514

Model & Size	Color Temp	Finish	LED Watts	LED Lumens	Delivered Lumens
WS-W28514 13"	3000K 3000K	BK Black ORB Oil Rubbed Bronze	10.6W 10.6W	440 440	431 431

Example: **WS-W28514-ORB**

For custom requests please contact [customs@modernforms.com](mailto:customs@modernforms.com)



Project:

Location:

Fixture Type:

Catalog Number:

**AVAILABLE FINISHES:**



# Balthus

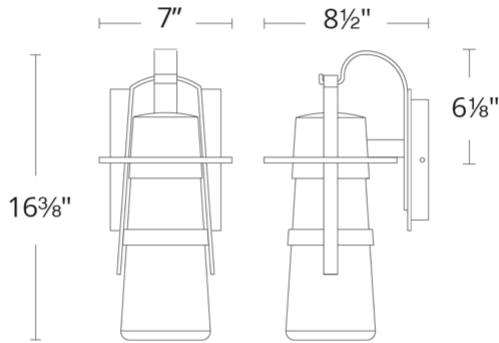
WS-W28516

**FEATURES**

- ACLED driverless technology
- Clear mouth-blown hammered glass
- 277V options available for 21" only; not available for 14" or 16"
- IDA Dark Sky compliant

**SPECIFICATIONS**

<b>Rated Life</b>	54000 Hours
<b>Standards</b>	ETL, cETL, Wet Location Listed, IP65, Title 24 JA8: 2019 Compliant, Dark Sky Friendly
<b>Input</b>	120 VAC, 50/60Hz
<b>Dimming</b>	ELV
<b>Color Temp</b>	3000K
<b>CRI</b>	90
<b>Construction</b>	Aluminum hardware, Clear hammered mouth-blown glass



WS-W28516

Model & Size	Color Temp	Finish	LED Watts	LED Lumens	Delivered Lumens
WS-W28516 16"	3000K 3000K	BK Black ORB Oil Rubbed Bronze	12.5W 12.5W	495 495	431 431

Example: **WS-W28516-ORB**

For custom requests please contact [customs@modernforms.com](mailto:customs@modernforms.com)



Project:

Location:

Fixture Type:

Catalog Number:

**AVAILABLE FINISHES:**



## Balthus

WS-W28521

**PRODUCT DESCRIPTION**

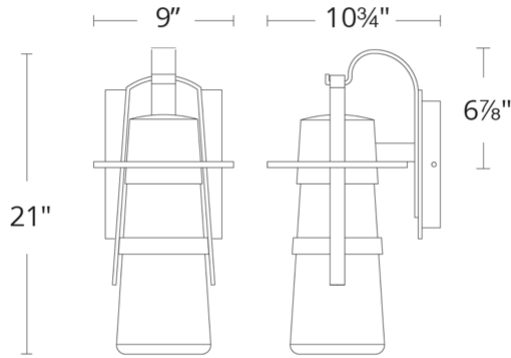
Vintage inspiration meets modern technology on this refined transitional sconce, perfect for lighting the path to your reception hall, residence or restaurant. High-performance LEDs stationed inside emit powerful, energy-efficient light through clear, hammered glass for a shimmering visual effect the eponymous painter would be proud of

**FEATURES**

- 277V option available for special order.
- ACLED driverless technology
- Clear mouth-blown hammered glass
- 277V options available for 21" only; not available for 14" or 16"
- IDA Dark Sky compliant

**SPECIFICATIONS**

<b>Rated Life</b>	54000 Hours
<b>Standards</b>	ETL, cETL, Wet Location Listed, IP65, Title 24 JA8: 2019 Compliant, Dark Sky Friendly
<b>Input</b>	120 VAC, 50/60Hz
<b>Dimming</b>	ELV
<b>Color Temp</b>	3000K
<b>CRI</b>	90
<b>Construction</b>	Aluminum hardware, Clear hammered mouth-blown glass



WS-W28521

**REPLACEMENT PARTS**

RPL-GLA-28521 - Outer Hammer Glass

Model & Size	Color Temp	Finish	LED Watts	LED Lumens	Delivered Lumens
WS-W28521 21"	3000K	BK Black	15.1W	614	558
	3000K	GH Graphite	15.1W	614	558
	3000K	ORB Oil Rubbed Bronze	15.1W	614	558

Example: **WS-W28521-ORB**

•For 277V special order, add an "F" before the finish: WS-W28521F-ORB

For custom requests please contact [customs@modernforms.com](mailto:customs@modernforms.com)